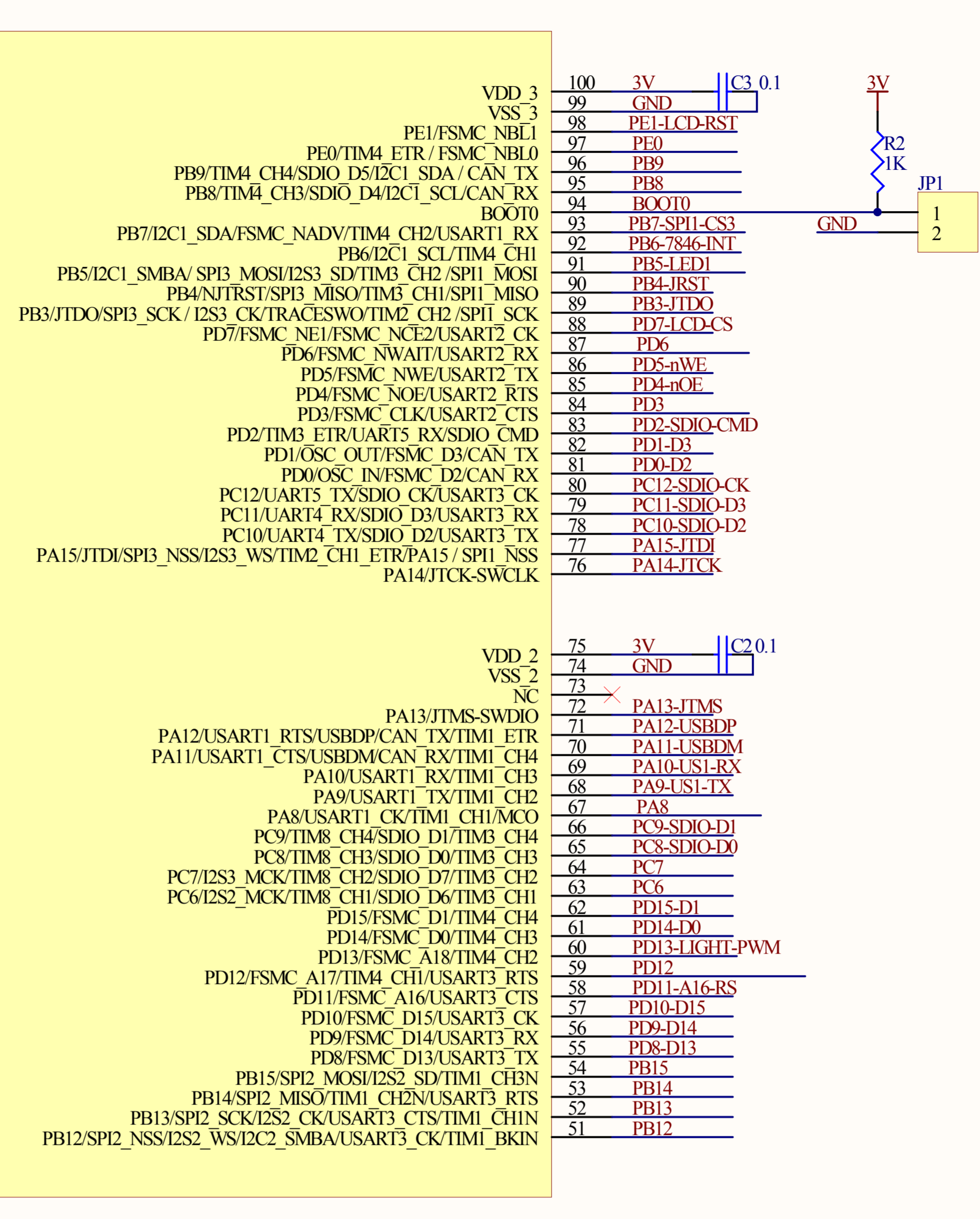
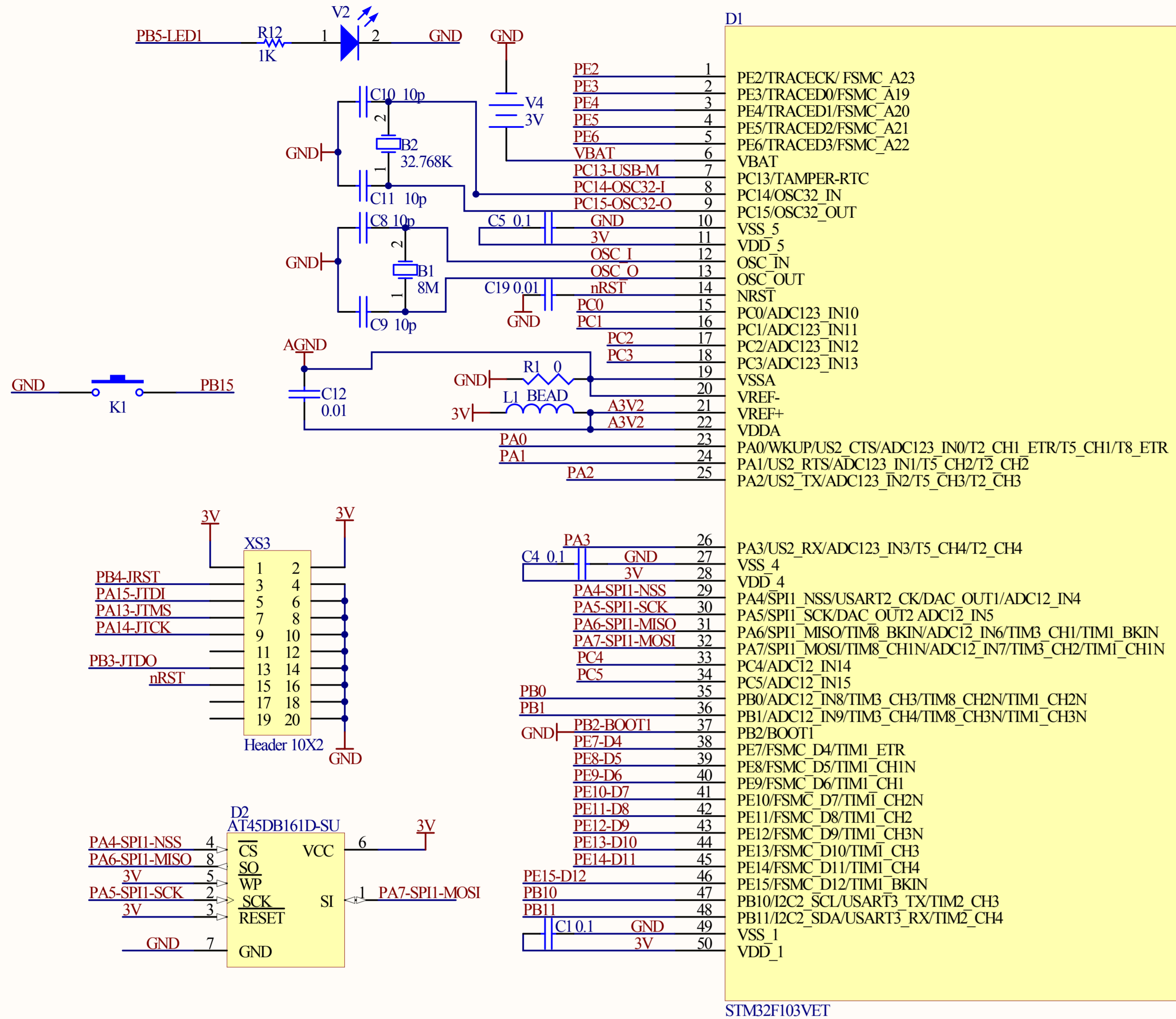
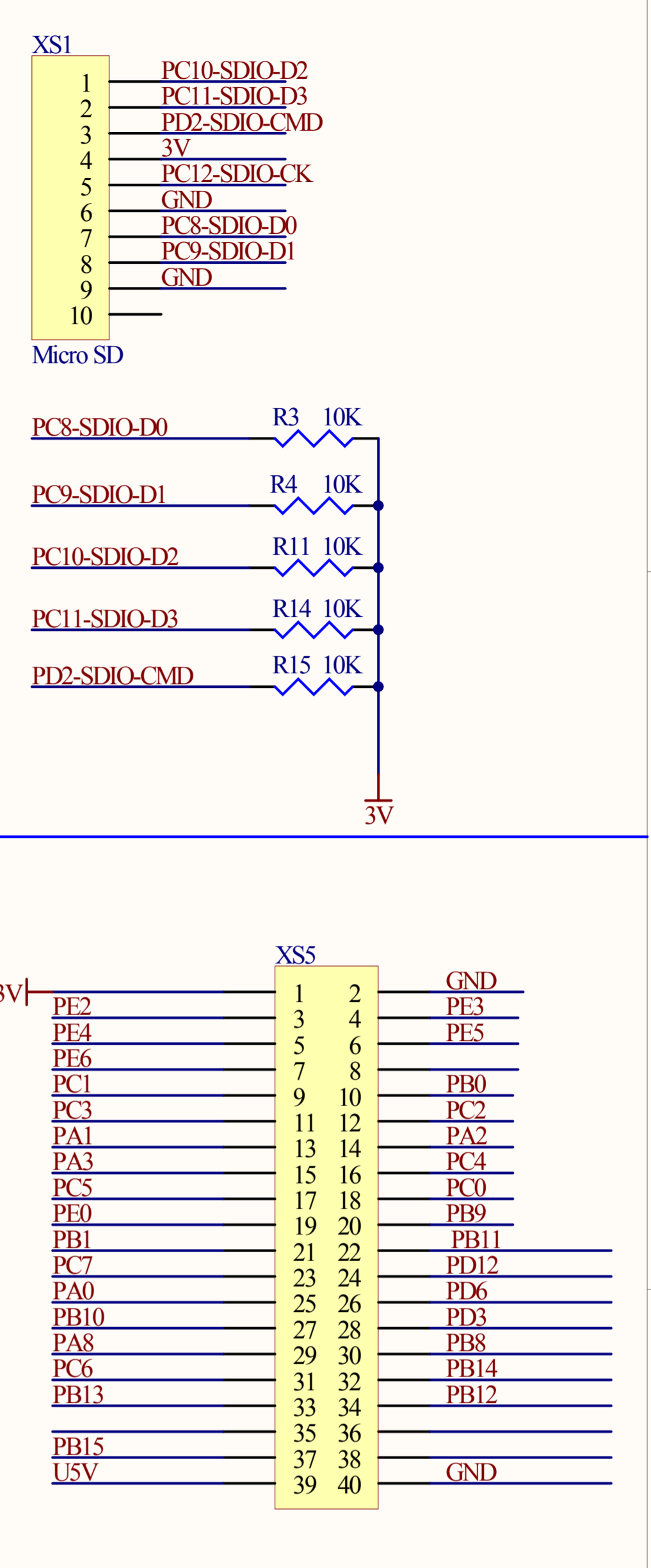


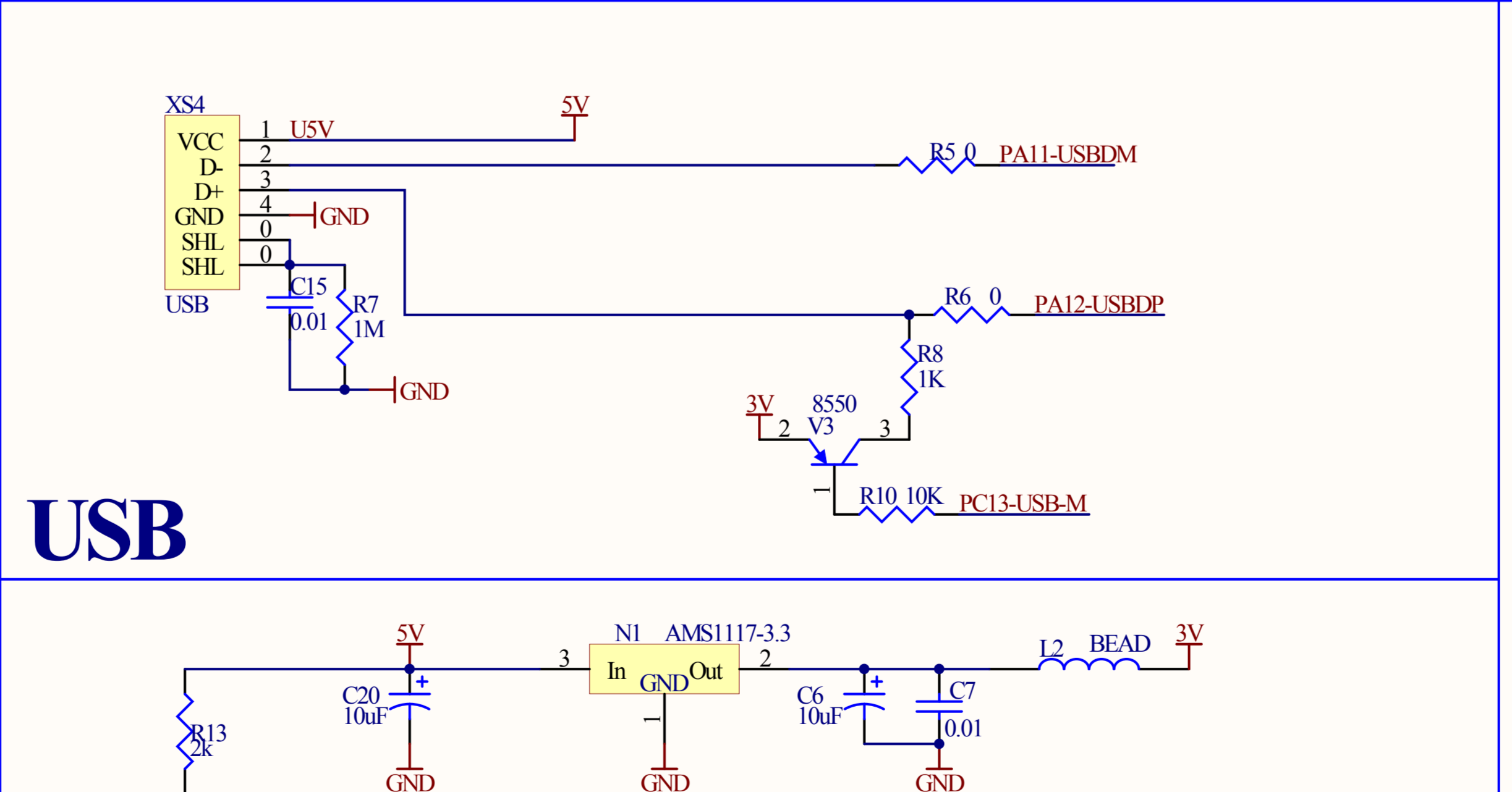
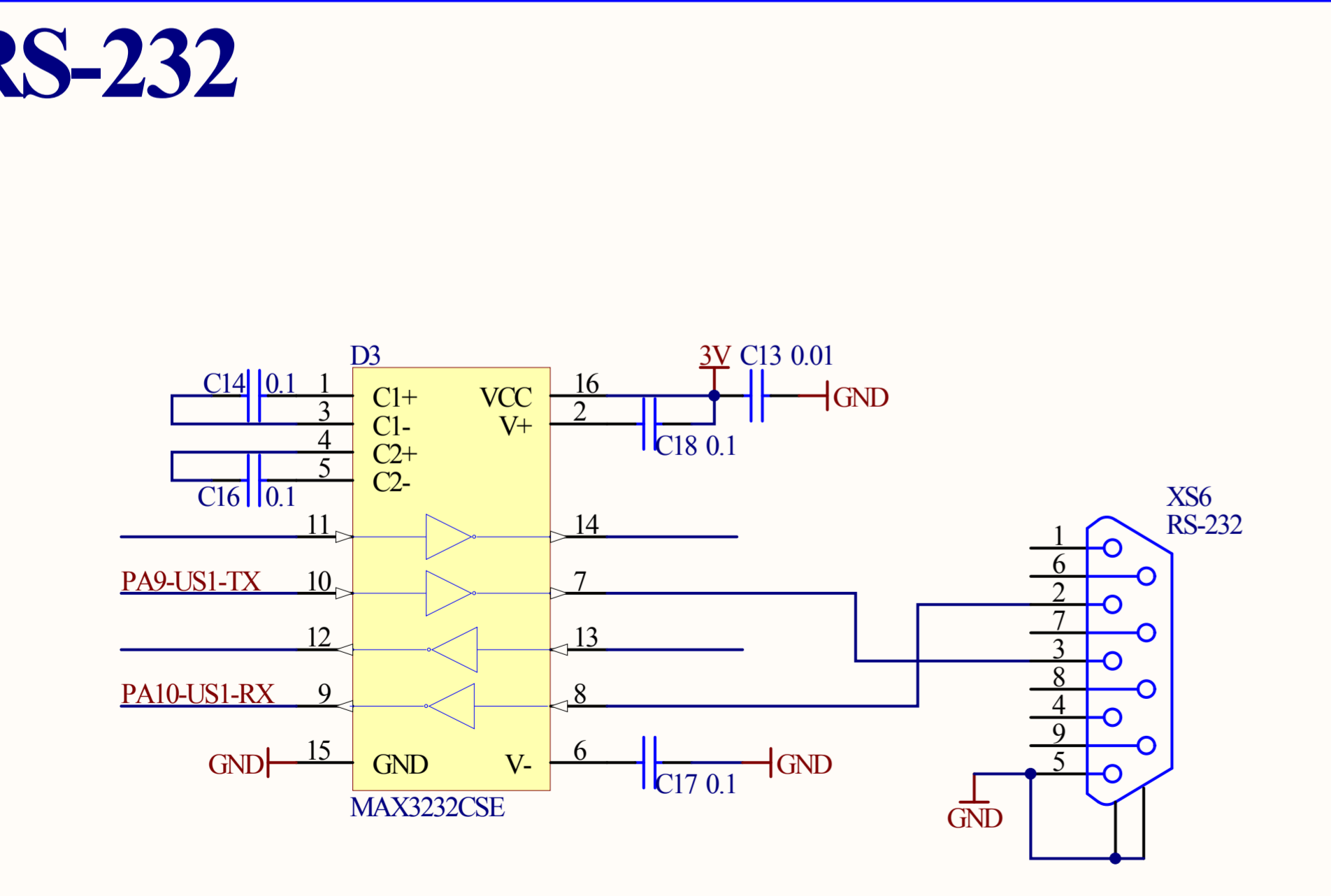
MCU



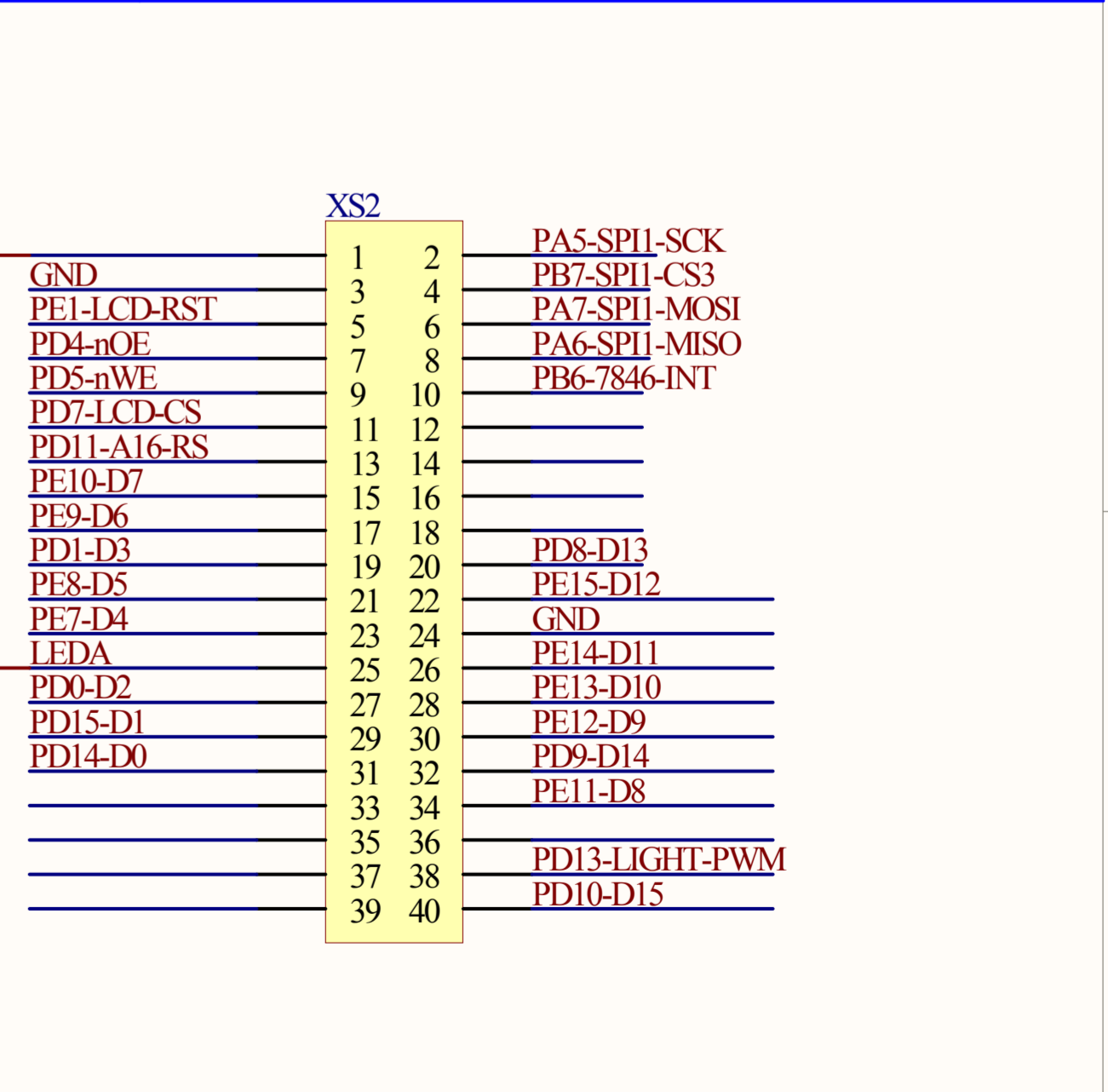
Micro SD



RS-232



TFT



Title		STM32 MINI V2.1	
Size	A3	Number	Revision
Date:	2010-3-24	Sheet of	
File:	F:\stm32\stm-fd\pcb\STM32-FD-HXa.SCH	Drawn By:	